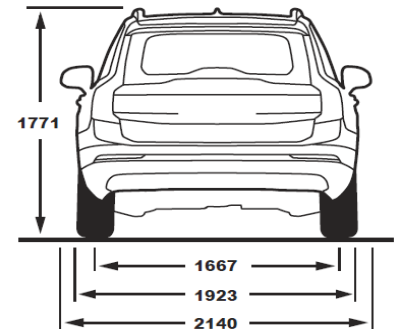
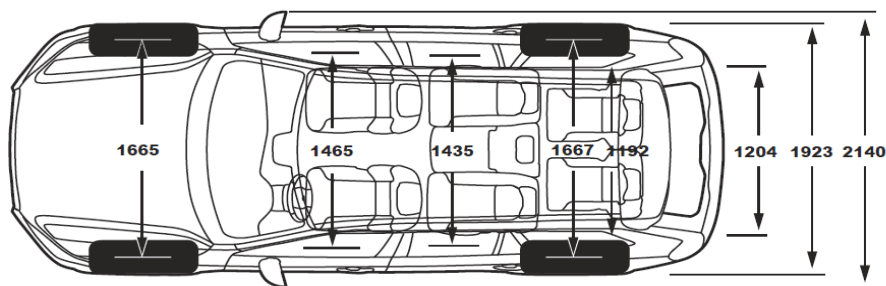
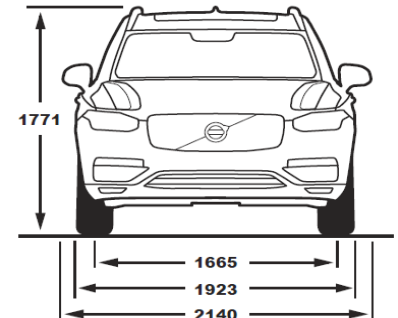
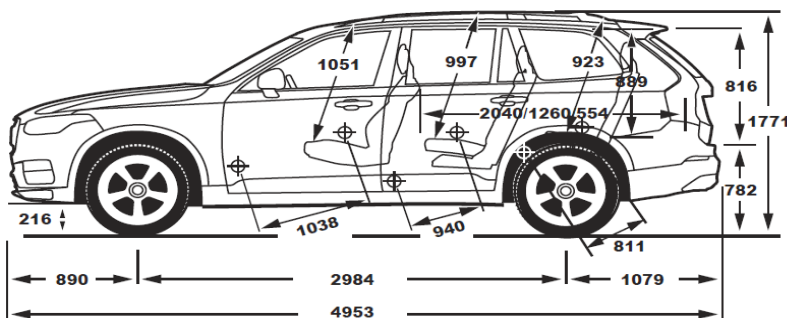


XC90 Specifications - Model Year 2023

V O L V O

	Plus B5	Ultimate B6 Bright	Ultimate B6 Dark	Recharge Ultimate T8 Plug-In Hybrid
Technical Specifications				
Powertrain	B5 AWD Mild Hybrid	B6 AWD Mild Hybrid	B6 AWD Mild Hybrid	T8 AWD Plug-in Hybrid
Engine / Motor	Four-cylinder turbocharged engine	Four-cylinder turbocharged engine with E-Charger	Four-cylinder turbocharged engine with E-Charger	Plug-in Hybrid Four-cylinder turbocharged petrol engine with an electric motor
Drive	All-Wheel Drive			All Wheel Drive (Front Wheel Drive with Electric Rear Axle Drive)
Displacement	1969cc			
Transmission	Automatic 8-speed			
Power	183kW at 5,400-5700rpm	220kW at 5,400rpm	220kW at 5,400rpm	233kW at 6,000rpm +107kW at 15,900 rpm (electric)
Torque	350Nm at 1,800-4,800rpm	420Nm at 2,100-4,800rpm	420Nm at 2,100-4,800rpm	400Nm at 3,000-5,400rpm + 309Nm at 0-3,280rpm (electric)
Acceleration 0-100km/h, seconds	7.7	6.7	6.7	5.3
Fuel Economy, l/100km*	8.2	8.2	8.2	1.8
Pure Electric Range, km*	-	-	-	77
CO2, g/km*	187	186	186	40
CO2, g/km (converted to 3P-WLTP)	208	207	207	44
Tare Weight, kg	2,065	2,090	2,090	2,310
Towing Capacity, kg	2,400	2,400	2,400	2,350
Fuel Tank, litres	71			

Dimensions



September 2022 - Model Year 2023

All pricing shown does not include on-road costs and clean car fees unless specified otherwise. For more information visit 'Car Configurator' on the Volvo Car New Zealand website.

The price of the car includes access to the following digital services for a period of 4 years: Google Assistant, Google Maps, Google Play Store, the Volvo Car App remote functions and data for the said services. After that period a prolongment or renewal will be offered, a subscription fee will in such case be added.

Information is correct at the time of printing, however the manufacturer reserves the right to make changes without notice. Please confirm model availability, specification and pricing details with your Volvo dealer. Accessories and / or options fitted to vehicles may affect vehicle performance, range, fuel consumption and emissions.

*Figures according to ADR/NEDC are derived from laboratory testing. Factors including but not limited to driving style, road and traffic conditions, environmental influences, vehicle condition and accessories fitted, means in the real world the range you experience can differ from that advertised. Advertised figures are meant for comparison purposes.

S Standard | NCO No cost option | - Not available | P Pack

XC90 Specifications - Model Year 2023

V O L V O

	Plus B5	Ultimate B6 Bright	Ultimate B6 Dark	Recharge Ultimate T8 Plug-In Hybrid
Safety				
Airbag, Driver & Passenger				
Knee Airbag driver side				
Side Impact Protection System Airbags				
Inflatable Curtain Airbags	S	S	S	S
Front Seat Whiplash protection				
Pyrotechnical pretensioners, front / rear all positions				
Isofix - outer position rear seat				
Flashing Emergency Brake Light and Hazard Warning				
Support System				
Adjustable speed limiter	S	S	S	S
Adaptive Cruise Control	S	S	S	S
Collision Mitigation Support, front	S	S	S	S
Pilot Assist	S	S	S	S
Lane Keeping Aid	S	S	S	S
Blind spot Information System with Cross traffic alert	S	S	S	S
Collision Warning and Mitigation support, rear	S	S	S	S
360° Camera	S	S	S	S
Parking assistance Gen3, front, rear & side	S	S	S	S
Hill start assist	S	S	S	S
Hill Descent Control	S	S	S	S
Rainsensor	S	S	S	S
Graphical Head Up Display (117)	S	S	S	S
Audio & Navigation				
High Performance Sound	S	S	S	-
Premium Sound by Bowers and Wilkins (553)	-	\$4,500	\$4,500	S
Harman Kardon Premium Sound (1033)	\$1,200	\$1,200	\$1,200	-
Digital Service, 4 years subscription standard	S	S	S	S
Road Sign Information (RSI)	S	S	S	S
Remote control buttons in steering wheel	S	S	S	S
2 USB Typ-C Connectors, Front	S	S	S	S
Bluetooth connection	S	S	S	S
Apple Carplay (Wired)	S	S	S	S
Volvo On Call	S	S	S	S
Digital Audio Broadcasting, DAB	S	S	S	S
Speech function	S	S	S	S
Inductive Charging for smartphone	S	S	S	S
Climate				
Electronic Climate Control, 4 zone	S	S	S	S
Climate unit, third seat row	S	S	S	S
CleanZone	S	S	S	S
Air purifier with Particulate Matter Sensor, aka PM2.5-sensor	S	S	S	S
Humidity sensor	S	S	S	S
Preventilation + prolonged heating after engine shut off	S	S	S	S
Sun blind, rear side door windows	S	S	S	S
Tinted windows, rear side doors and cargo area (179)	\$600	\$600	\$600	S
Panoramic sun roof with power operation (30)	\$2,700	\$2,700	\$2,700	S
Windscreen washers (Aquablades)	S	S	S	S
Heated steering wheel (869)	P	S	S	S
Locking and security systems				
Alarm with interior motion sensor	S	S	S	S
Key remote, Keyless entry and start	S	S	S	S
Private locking	S	S	S	S
Central lock switch with diode in front doors	S	S	S	S
Tempered glass, side and rear windows	S	S	S	S
Power child lock, rear side doors	S	S	S	S
Luggage compartment				
Temporary sparewheel with Jack	S	S	S	-
Repair kit	-	-	-	S
Power Operated Tailgate	S	S	S	S
Grocery bag holder	S	S	S	S
Load cover	S	S	S	S
12V Power outlet, luggage area	S	S	S	S
Cargo divider / Storage tray (under load floor)	S	S	S	S

September 2022 - Model Year 2023

All pricing shown does not include on-road costs and clean car fees unless specified otherwise. For more information visit 'Car Configurator' on the Volvo Car New Zealand website.

The price of the car includes access to the following digital services for a period of 4 years: Google Assistant, Google Maps, Google Play Store, the Volvo Car App remote functions and data for the said services. After that period a prolongment or renewal will be offered, a subscription fee will in such case be added.

Information is correct at the time of printing, however the manufacturer reserves the right to make changes without notice. Please confirm model availability, specification and pricing details with your Volvo dealer. Accessories and / or options fitted to vehicles may affect vehicle performance, range, fuel consumption and emissions.

*Figures according to ADR/NEDC are derived from laboratory testing. Factors including but not limited to driving style, road and traffic conditions, environmental influences, vehicle condition and accessories fitted, means in the real world the range you experience can differ from that advertised. Advertised figures are meant for comparison purposes.

S Standard | NCO No cost option | - Not available | P Pack

XC90 Specifications - Model Year 2023



	Plus B5	Ultimate B6 Bright	Ultimate B6 Dark	Recharge Ultimate T8 Plug-In Hybrid
Interior				
Illuminated vanity mirrors in sunvisor LH / RH side	S	S	S	S
Parking ticket holder	S	S	S	S
Tailored Instrument Panel	-	S	S	S
Gearlever knob, crystal	-	S	S	S
Gearlever knob, leather-free	S	-	-	-
Automatically dimmed inner and exterior mirrors	S	S	S	S
Carpet kit, textile, row 1, 2 and 3	S	S	S	S
Interior illumination high level	S	S	S	S
Seats				
7-seat	S	S	S	S
Power adjustable driver and front passenger seat with memory and 4 way adjustable lumbar support	S	S	S	S
Power adjustable side support, standard with xCx0 upholstery codes	-	O	O	O
Backrest massage, front seats (000384) only optional with xCx0 upholstery codes	-	\$2,100	\$2,100	\$2,100
Heated front seats	S	S	S	S
Heated rear seats	P	S	S	S
Mechanical release fold 2nd row rear seat	S	S	S	S
Power folding rear headrests	S	S	S	S
Centre rear armrest with cupholders	S	S	S	S
Armrest with cupholder and storage LH/RH side in third row	S	S	S	S
Integrated child booster cushion (middle rear 2nd row seat only)	S	S	S	S
Cushion extension (front seats only)	S	S	S	S
Interior upholstery				
Moritz Leather Accented (RA00) Front Row Only, includes: Charcoal Interior, TPU Gearknob, Blond Headlining, Charcoal Carpets, Charcoal Tunnel, Charcoal Door Inserts, Charcoal Colour Accent, Linear Walnut Decor Inlay	S	S	-	-
Moritz Leather Accented (UA00) Front Row Only, includes: Blond/Charcoal Interior, TPU Gearknob, Blond Headlining, Charcoal Carpets, Blond Tunnel, Blond Door Inserts, Blond Colour Accent, Linear Walnut Decor Inlay	NCO	NCO	-	-
Ventilated/Perforated Nappa Leather Accented (RC00) Front Row Only, includes: Charcoal Interior, Crystal Gearknob, Blond Headlining, Charcoal Carpet, Charcoal Tunnel, Charcoal Door Insert, Charcoal Accent Colour, Grey Ash Decor Inlay	-	\$3,600	\$3,600	\$3,600
Ventilated/Perforated Nappa Leather Accented (RC20) Front Row Only, includes: Charcoal Interior, Crystal Gearknob, Charcoal Headlining, Charcoal Carpet, Amber Tunnel, Amber Door Insert, Amber Accent Colour, Black Ash Decor Inlay	-	\$3,600	-	-
Ventilated/Perforated Nappa Leather Accented (UC00) Front Row Only, includes: Blond/Charcoal Interior, Crystal Gearknob, Blond Headlining, Charcoal Carpet, Blond Tunnel, Blond Door Insert, Blond Accent Colour, Grey Ash Decor Inlay	-	\$3,600	-	-
Perforated Nappa Leather Accented Contour (RC0R) Front Row Only, includes: Charcoal Interior, Crystal Gearknob, Charcoal Headlining, Charcoal Carpet, Charcoal Tunnel, Charcoal Door Insert, Charcoal Accent Colour, Metal Mesh Decor Inlay	-	-	S	S
Perforated Nappa Leather Accented Contour (RC4R) Front Row Only, includes: Blond/Charcoal Interior, Crystal Gearknob, Charcoal Headlining, Charcoal Carpet, Blond/Charcoal Tunnel, Blond Door Insert, Blond Accent Colour, Metal Mesh Decor Inlay	-	-	NCO	NCO
Tailored Wool Blend (R471) Front Row Only, includes: Charcoal Interior, Crystal Gearknob, Charcoal Headlining, Charcoal Carpet, Charcoal Tunnel, Charcoal Door Insert, Zink Accent Colour, Black Ash Decor Inlay	-	-	-	NCO

September 2022 - Model Year 2023

All pricing shown does not include on-road costs and clean car fees unless specified otherwise. For more information visit 'Car Configurator' on the Volvo Car New Zealand website.

The price of the car includes access to the following digital services for a period of 4 years: Google Assistant, Google Maps, Google Play Store, the Volvo Car App remote functions and data for the said services. After that period a prolongment or renewal will be offered, a subscription fee will in such case be added.

Information is correct at the time of printing, however the manufacturer reserves the right to make changes without notice. Please confirm model availability, specification and pricing details with your Volvo dealer. Accessories and / or options fitted to vehicles may affect vehicle performance, range, fuel consumption and emissions.

*Figures according to ADR/NEDC are derived from laboratory testing. Factors including but not limited to driving style, road and traffic conditions, environmental influences, vehicle condition and accessories fitted, means in the real world the range you experience can differ from that advertised. Advertised figures are meant for comparison purposes.

S Standard | NCO No cost option | - Not available | P Pack

XC90 Specifications - Model Year 2023



	Plus B5	Ultimate B6 Bright	Ultimate B6 Dark	Recharge Ultimate T8 Plug-In Hybrid
Exterior				
Air suspension with Four-C Active Chassis	-	\$4,500	\$4,500	S
Colour coordinated rear view mirror covers	S	S	-	-
Black (019) rear view mirror covers	-	-	S	S
Retractable Rear View Mirrors	S	S	S	S
Foglights in front	S	S	S	-
LED Headlights Bending	S	S	S	S
Headlight high pressure cleaning (65)	P	P	P	P
Transport protection cover with opening for tailgate	S	S	S	S
Exterior Colours - Metallic/Pearl				
Onyx Black (717)	S	S	S	S
Crystal White (707)	NCO	NCO	NCO	NCO
Denim Blue (723)				
Thunder Grey (728)				
Platinum Grey (731)				
Silver Dawn (735)				
Bright Dusk (736)				
Lifestyle Package with Harmon Kardon				
Panoramic Sunroof (30)	\$3,000	\$3,000	\$3,000	-
Premium Sound System - Harman Kardon (1033)				
Lifestyle Package with Bowers and Wilkins				
Panoramic Sunroof (30)	-	\$5,900	\$5,900	S
Premium Sound System - Bowers and Wilkins (553)				
Climate Package				
Heated Steering Wheel (869)	\$800	-	-	-
Heated Rear Seat (752)				
Headlight high pressure cleaning (65)		\$200	\$200	\$200
Standard Wheels				
20" 10-Spoke Black Diamond-cut Alloy wheel	S	-	-	-
21" 5-Double Spoke Black Diamond-cut Alloy wheel	-	S	-	-
22" 5-Double Spoke Black Diamond-cut Alloy wheel (1096)	-	\$3,000	S	S
Tyres				
275/45R20	S	-	-	-
275/40R21	O	S	-	-
275/35R22	-	O	S	S
Indirect Tyre Pressure Monitoring System	S	S	S	S
Option Wheels				
21" 8-Multi Spoke Black Diamond-cut Alloy wheel (1081)	\$2,000	-	-	-

September 2022 - Model Year 2023

All pricing shown does not include on-road costs and clean car fees unless specified otherwise. For more information visit 'Car Configurator' on the Volvo Car New Zealand website.

The price of the car includes access to the following digital services for a period of 4 years: Google Assistant, Google Maps, Google Play Store, the Volvo Car App remote functions and data for the said services. After that period a prolongment or renewal will be offered, a subscription fee will in such case be added.

Information is correct at the time of printing, however the manufacturer reserves the right to make changes without notice. Please confirm model availability, specification and pricing details with your Volvo dealer. Accessories and / or options fitted to vehicles may affect vehicle performance, range, fuel consumption and emissions.

*Figures according to ADR/NEDC are derived from laboratory testing. Factors including but not limited to driving style, road and traffic conditions, environmental influences, vehicle condition and accessories fitted, means in the real world the range you experience can differ from that advertised. Advertised figures are meant for comparison purposes.

S Standard | NCO No cost option | - Not available | P Pack